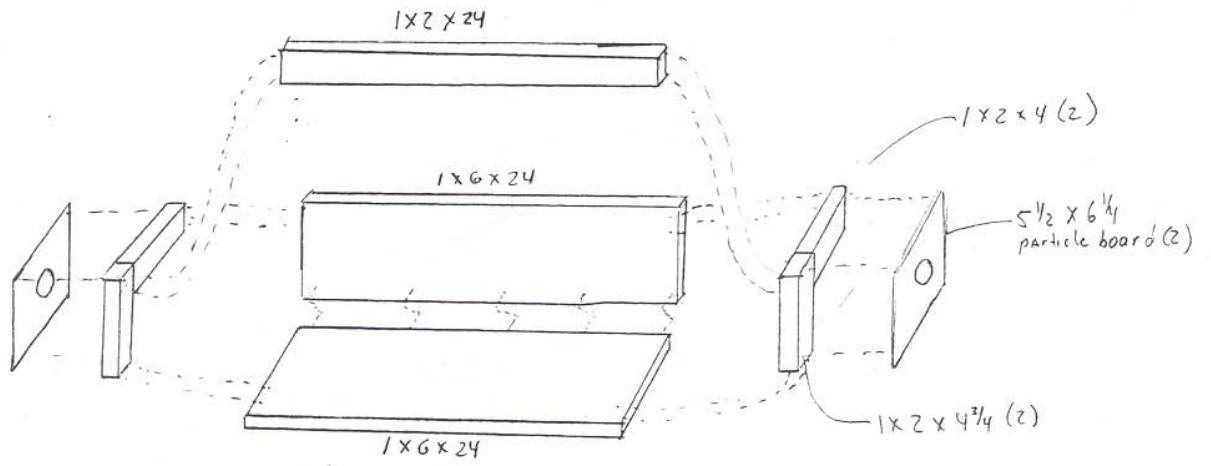
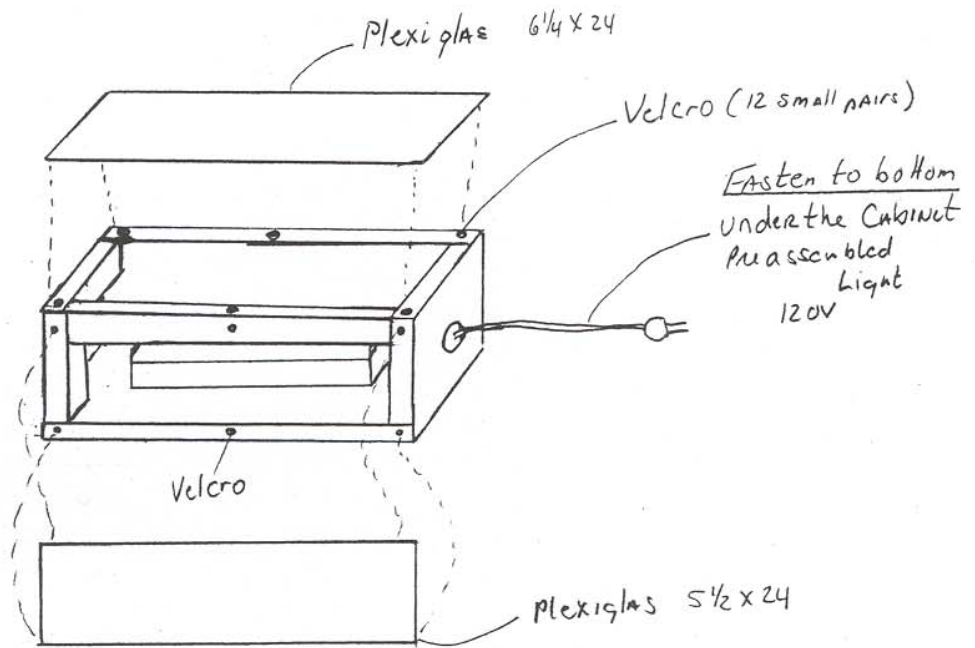


Exploded
View



FINAL
Assembly



By CURTIS ROBERTS

Assembly of Portable Light Box

- 1) Purchase wood – Pine or other type and cut into the following sizes
 - Pine - 1” x 6” x 60”
 - Cut two pieces to 1 x 6 x 24”
 - Pine - 1” x 2” x 60”
 - Cut two pieces to 1 x 2 x 6.25”
 - Cut two pieces to 1 x 2 x 5.5”
 - Cut one piece to 1 x 2 x 24”
 - Particleboard 12” x 12” (or common size found at lumber store)
 - Cut two pieces to 5.5” x 6.25”
 - Plexiglas – two piece, have store cut to size
 - 5.5” x 24”
 - 6.25” x 24”
 - Light – Pre-assembled and pre-wired under cabinet kitchen light.
 - Screws or nails as needed
 - Velcro – 12 small pieces
- 2) Assemble as shown. Pre-fit and pre-size as you go.
- 3) Test light before and after placement into light box.
 - Leave light switch in the “on” the position
 - Plug in when turning on, unplug when turning off
- 4) Fill holes with wood putty
- 5) Sand
- 6) Paint